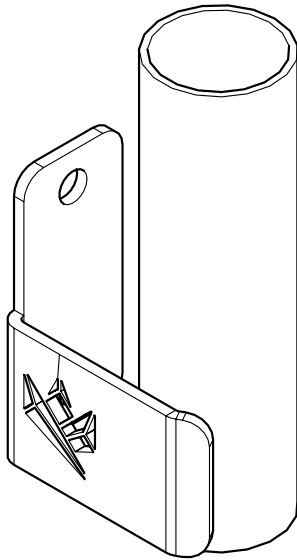
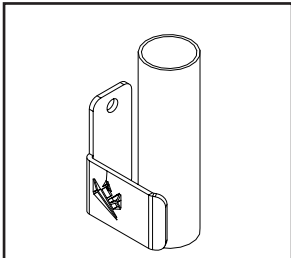


# Barbell Rack



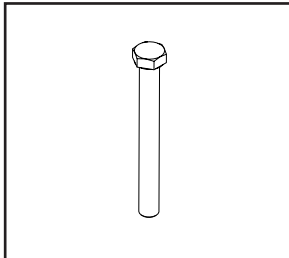
**KingsBox<sup>®</sup>**  
BUILDING BETTER HUMANS

# Assembly elements:



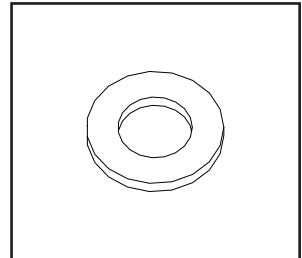
**Position 1**

**Barbell Rack**



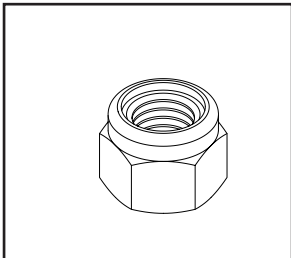
**Position 2**

**M12x90/110**



**Position 3**

**M12 Washer**

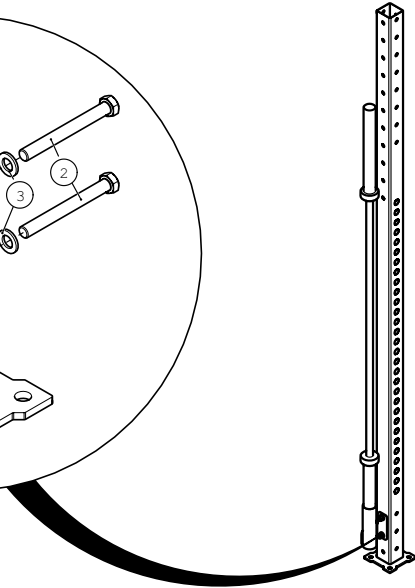
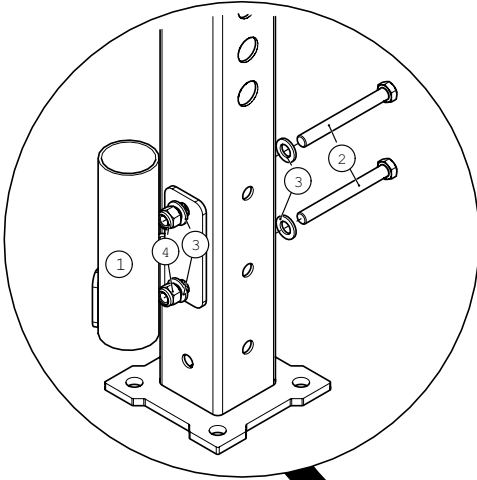


**Position 4**

**M12 Nuts**

# Assembly instruction:

## STEP: 1



## STEP: 2

